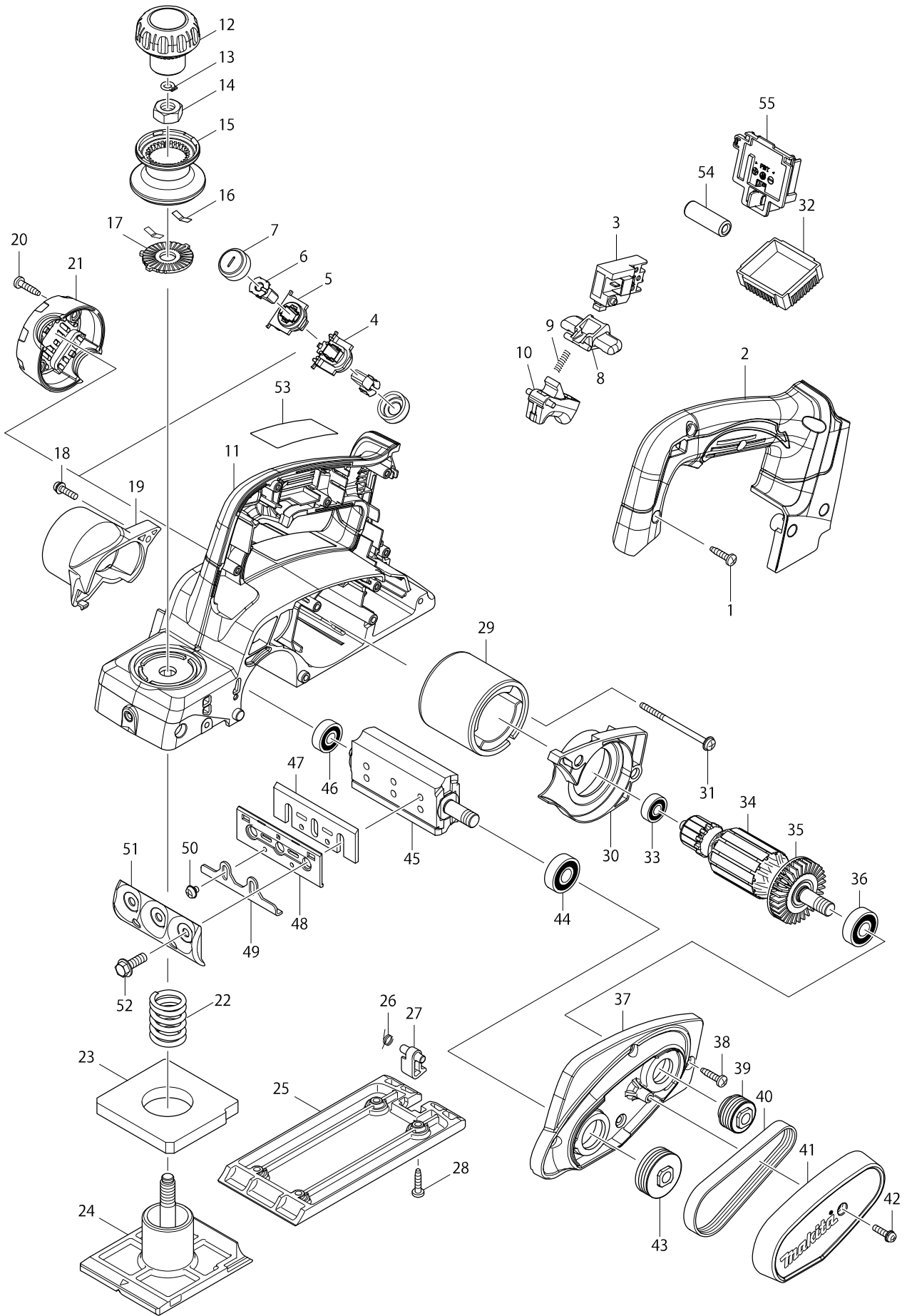


Model No. DKP180 82MM CORDLESS PLANER



Model No. DKP180 82MM CORDLESS PLANER

Item	Parts No.	Description	I/C	QTY	N/O	Opt. 1	Opt. 2	NOTE
001	266326-2	TAPPING SCREW 4X18		6		100		
C10	263005-3	RUBBER PIN 6		1		100		
002A	141825-4	HANDLE COVER COMPLETE		1				
002G	140905-3	HANDLE COVER COMPLETE		1		100		
002H	140905-3	HANDLE COVER COMPLETE		1		100		
002J	140905-3	HANDLE COVER COMPLETE		1		100		
002K	140905-3	HANDLE COVER COMPLETE		1		100		
002L	140905-3	HANDLE COVER COMPLETE		1		100		
003	650631-1	SWITCH		1		100		
004	643872-6	BRUSH HOLDER		1		100		
005	643873-4	BRUSH HOLDER		1		100		
006	194435-6	CARBON BRUSH CB-441		1		100		
007	643829-7	HOLDER CAP		2		100		
008	419664-3	LOCK OFF LEVER		1		100		
009	231469-9	COMPRESSION SPRING 4		1		100		
010	419665-1	SWITCH LEVER		1		100		
C10	263005-3	RUBBER PIN 6		1		100		
011A	141824-6	MAIN FRAME COMPLETE		1				
011G	140904-5	MAIN FRAME COMPLETE		1		100		
011H	140904-5	MAIN FRAME COMPLETE		1		100		
011J	140904-5	MAIN FRAME COMPLETE		1		100		
011K	140904-5	MAIN FRAME COMPLETE		1		100		
011L	140904-5	MAIN FRAME COMPLETE		1		100		
012A	454179-3	KNOB COVER		1				
012G	451328-3	KNOB COVER		1		100		
012H	451328-3	KNOB COVER		1		100		
012J	451328-3	KNOB COVER		1		100		
012K	451328-3	KNOB COVER		1		100		
012L	451328-3	KNOB COVER		1		100		
013	961004-6	RETAINING RING S-8		1		100		
014	264028-4	HEX. NUT M10		1		100		
015	452480-0	KNOB		1	*	100		
015-1	452480-0	KNOB	O	1		100		
016	232185-6	LEAF SPRING		2		100		
017	346110-2	CAM PLATE		1	*	100		
017-1	346110-2	CAM PLATE	O	1		100		
018	911128-8	P.H.SCREW M4X16 WITH WR		1		100		
019	451329-1	NOZZLE		1		100		
020	266326-2	TAPPING SCREW 4X18		2		100		
021	419281-9	REAR COVER		1		100		
022	231004-3	COMPRESSION SPRING 18		1		100		
023	421007-7	RUBBER PACKING		1		100		
024	319011-7	FRONT BASE		1		100		
025	319009-4	BASE		1		100		
026	231698-4	TORSION SPRING 7		1		100		
027	451392-4	FOOT		1		100		
028	266326-2	TAPPING SCREW 4X18		4		100		
029	638571-3	YOKE UNIT		1		100		

Model No. DKP180 82MM CORDLESS PLANER

Item	Parts No.	Description	I/C	QTY	N/O	Opt. 1	Opt. 2	NOTE
030	452479-5	BAFFLE PLATE		1		100		
031	266292-3	TAPPING SCREW 4X65		2		100		
032	620264-6	CONTROLLER		1		100		
033	210017-7	BALL BEARING 607DDW		1		100		
034	519272-1	ARMATURE ASS'Y DC18V		1		151		
D10		INC. 33,35,36						
035	240052-1	FAN 46		1		100		
036	211088-7	BALL BEARING 6000DDW		1		100		
037	140753-0	BRACKET COMPLETE		1		100		
C10	263002-9	RUBBER PIN 4		2		100		
038	266326-2	TAPPING SCREW 4X18		4		100		
039	222172-3	V-PULLEY 4-24L		1		100		
040	225007-7	POLY V-BELT 4-241		1		100		
041	452478-7	BELT COVER		1		100		
042	911128-8	P.H.SCREW M4X16 WITH WR		1		100		
043	222173-1	V-PULLEY 4-33.5		1		100		
044	211088-7	BALL BEARING 6000DDW		1		100		
045	161061-6	DRUM		1		100		
046	211032-4	BALL BEARING 608ZZ		1		100		
047	A-82921	T.C.T. MINI PLANER BLADE		1				
048	343433-9	SET PLATE F/MINI BLADE		2				
049	345644-2	ADJUST PLATE		2	*	100		
049-1	345644-2	ADJUST PLATE	S	2		100		
050	265132-2	+ PAN HEAD SCREW M4X5		4		100		
051	187679-5	DRUM PLATE SET		1		100		
052	251609-3	HEX. FLANGE HEAD BOLT M6X17		6		100		
053	815K71-8	DKP180 NAME PLATE		1				
054	688165-4	LINE FILTER		1		100		
055	644808-8	TERMINAL		1		100		
A01	165581-2	GUIDE RULE		1				
A02	265785-7	THUMB SCREW M5X10		1		100		
A03	123062-2	BLADE GAUGE ASS'Y		1				
C10	911228-4	PAN HEAD SCREW M5X18		2		100		
C20	411086-3	GAUGE PLATE		1				
A04	782209-3	SOCKET WRENCH 9		1				
A05G	***DC18RC	DC18RC FAST CHARGER		1				
A05J	***DC18RC	DC18RC FAST CHARGER		1				
A05K	821551-8	CONNECTOR PLASTIC CASE (TYPE3)		1				
C10	453974-8	LATCH		4		100		
A05L	***DC18RC	DC18RC FAST CHARGER		1				
A06G	194204-5	BATTERY BL1830 SET		2	*			
A06J	194204-5	BATTERY BL1830 SET		2	*			
A06K	837808-7	INNER TRAY		1				
A06-1G	194204-5	BATTERY BL1830 SET	O	2	*			
A06-1J	194204-5	BATTERY BL1830 SET	O	2	*			
A06-1L	196399-0	BATTERY BL1840 SET		2	*			
A06-2G	197600-6	BATTERY BL1830B SET	<	2				
A06-2J	197600-6	BATTERY BL1830B SET	<	2				

