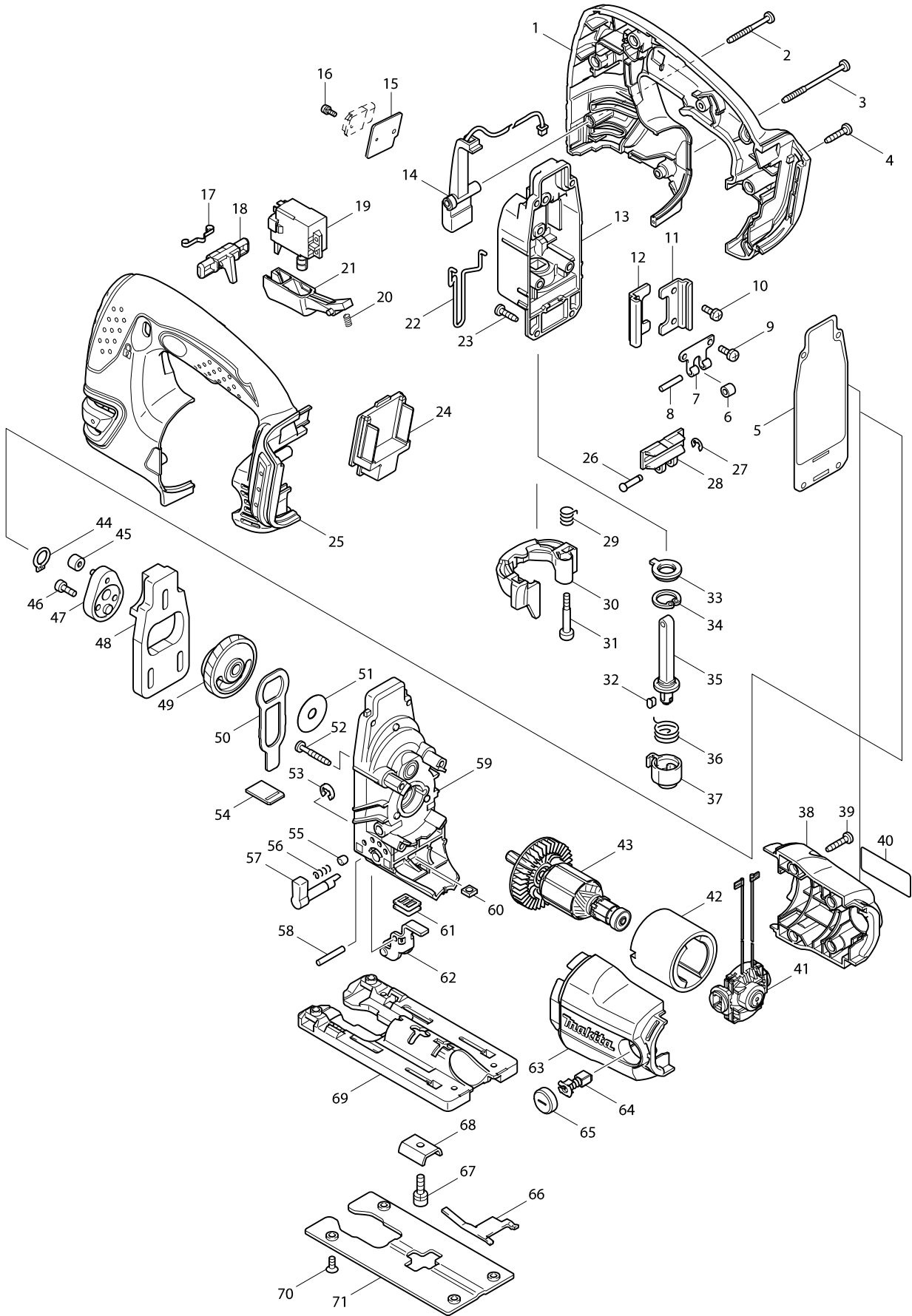


# Model No. DJV180 CORDLESS JIG SAW



# Model No. DJV180 CORDLESS JIG SAW

Item	Parts No.	Description	I/C	QTY	N/O	Opt. 1	Opt. 2	NOTE
D10		INC. 25						
001I	187725-4	HANDLE SET		1				
001J	187725-4	HANDLE SET		1				
001L	187725-4	HANDLE SET		1				
001N	187725-4	HANDLE SET		1				
001O	187725-4	HANDLE SET		1				
001P	187845-4	HANDLE SET		1				
001Q	187725-4	HANDLE SET		1				
002	266048-4	TAPPING SCREW 4X40		1	100			
003	266091-3	TAPPING SCREW 4X50		1	100			
004	265995-6	TAPPING SCREW 4X18		5	100			
005	442138-9	PACKING		1	100			
006	214031-5	PLANE BEARING 4		1	100			
007	232207-2	LEAF SPRING		1	100			
008	256117-9	PIN 4		1	100			
009	911111-5	PAN HEAD SCREW M4X10 WITH W		2	100			
010	911111-5	PAN HEAD SCREW M4X10 WITH W		2	100			
011	345240-6	LINEAR GUIDE		1	100			
012	345240-6	LINEAR GUIDE		1	100			
013	153338-3	GEAR HOUSING COVER COMPLETE		1	100			
C10	253313-0	THIN WASHER 14		1	100			
C20	257250-0	RING 20		1	100			
C30	421815-6	DUST SEAL 8		1	100			
014	631744-7	LIGHT CIRCUIT		1	100			
015	689070-8	HEAT SINK		1	100			
016	911006-2	PAN HEAD SCREW M3X8		1	100			
017	232152-1	LEAF SPRING		1	100			
018	419613-0	LOCK OFF BUTTON		1	100			
019	650650-7	SWITCH C3LA-2A-PLSRS		1				
020	233118-4	COMPRESSION SPRING 4		1	100			
021	419754-2	SWITCH LEVER		1	100			
022	324233-6	SAFETY WIRE		1	100			
023	266034-5	TAPPING SCREW CT 4X16		4	100			
024	644808-8	TERMINAL		1	100			
D10		INC. 1						
025I	187725-4	HANDLE SET		1				
025J	187725-4	HANDLE SET		1				
025L	187725-4	HANDLE SET		1				
025N	187725-4	HANDLE SET		1				
025O	187725-4	HANDLE SET		1				
025P	187845-4	HANDLE SET		1				
025Q	187725-4	HANDLE SET		1				
026	268090-1	PIN 4		1	100			
027	961017-7	STOP RING E-3		1	100			
028	310134-4	SLIDER		1	100			
029	231659-4	TORSION SPRING 6		1	100			
030	419820-5	TOOL OPENER		1	100			
031	265026-1	+ PAN HEAD SCREW M4		1	100			

# Model No. DJV180 CORDLESS JIG SAW

Item	Parts No.	Description	I/C	QTY	N/O	Opt. 1	Opt. 2	NOTE
032	310135-2	PUSH PIN		1		100		
033	421817-2	DUST COVER		1		100		
034	962068-3	RETAINING RING R-18		1		100		
035	165326-8	ROD		1		100		
036	231660-9	TORSION SPRING 15		1		100		
037	310136-0	BLADE HOLDER		1		100		
D10		INC. 63						
038I	188208-7	MOTOR HOUSING SET		1		100		
038J	188208-7	MOTOR HOUSING SET		1		100		
038L	188208-7	MOTOR HOUSING SET		1		100		
038N	188208-7	MOTOR HOUSING SET		1		100		
038O	188208-7	MOTOR HOUSING SET		1		100		
038P	187508-2	MOTOR HOUSING SET		1				
038Q	188208-7	MOTOR HOUSING SET		1		100		
039	265995-6	TAPPING SCREW 4X18		4		100		
040	815K50-6	DJV180 NAME PLATE		1				
041	638504-8	ENDBELL COMPLETE		1		100		
042	638373-7	YOKE UNIT		1		100		
043	619206-5	ARMATURE		1		151		
044	961004-6	RETAINING RING S-8		1		100		
045	212092-9	NEEDLE BEARING 407		1				
046	265353-6	HEX. SOCKET HEAD BOLT M4X12		2		100		
047	153336-7	CRANK COMPLETE		1		100		
048	313108-4	BALANCE PLATE		1		100		
049	158168-7	GEAR COMPLETE		1		100		
050	345235-9	PUSH PLATE		1		100		
051	253877-4	FLAT WASHER 8		1		100		
052	266050-7	TAPPING SCREW 4X30		4		100		
053	961018-5	STOP RING E-5		1		100		
054	417839-8	SEAL PLATE		1		100		
055	286032-3	CAP 5		1		100		
056	233139-6	COMPRESSION SPRING 3		1		100		
057	272280-0	LEVER 17		1		100		
058	268063-4	PIN 4		1		100		
059	158169-5	GEAR HOUSING COMPLETE		1		100		
060	252171-1	SQUARE NUT M5-8		1		100		
061	421816-4	DUST SEAL		1		100		
062	153334-1	RETAINER COMPLETE		1		100		
D10		INC. 38						
063I	188208-7	MOTOR HOUSING SET		1		100		
063J	188208-7	MOTOR HOUSING SET		1		100		
063L	188208-7	MOTOR HOUSING SET		1		100		
063N	188208-7	MOTOR HOUSING SET		1		100		
063O	188208-7	MOTOR HOUSING SET		1		100		
063P	187508-2	MOTOR HOUSING SET		1				
063Q	188208-7	MOTOR HOUSING SET		1		100		
064	191971-3	CARBON BRUSH CB-430		1		100		
065	643807-7	BRUSH HOLDER CAP		2		100		

# Model No. DJV180 CORDLESS JIG SAW

Item	Parts No.	Description	I/C	QTY	N/O	Opt. 1	Opt. 2	NOTE
066	232208-0	LEAF SPRING		1		100		
067	922226-3	HEX. SOCKET HEAD BOLT M5X18		1		100		
068	345237-5	CRANK PLATE		1		100		
069	317565-8	BASE		1		100		
070	912107-9	COUNTERSUNK HEAD SCREW M4X8		4		100		
071	345238-3	BASE PLATE		1		100		
A01	415524-7	ANTI-SPLINTERING DEVICE		1				
A02	417852-6	COVER PLATE		1		100		
A03	417853-4	DUST NOZZLE		1				
A04	A-85737	JIGSAW BLADE NO.B22		1				
A05	A-85628	JIGSAW BLADE NO.B10		1				
A06	A-85793	JIGSAW BLADE NO.BR13		1				
A07	783202-0	HEX. WRENCH 4		1				
A08J	***DC18RC	DC18RC FAST CHARGER		1				
A08L	***DC18RC	DC18RC FAST CHARGER		1				
A08N	821550-0	CONNECTOR PLASTIC CASE (TYPE2)		1				
C10	453974-8	LATCH		4		100		
A08O	***DC18RC	DC18RC FAST CHARGER		1				
A08Q	***DC18RC	DC18RC FAST CHARGER		1				
A09J	194204-5	BATTERY BL1830 SET		2	*			
A09L	194204-5	BATTERY BL1830 SET		3	*			
A09N	837639-4	INNER TRAY		1				
A09O	194204-5	BATTERY BL1830 SET		2	*			
A09-1J	194204-5	BATTERY BL1830 SET	O	2	*			
A09-1L	194204-5	BATTERY BL1830 SET	O	3	*			
A09-1O	194204-5	BATTERY BL1830 SET	O	2	*			
A09-1Q	196399-0	BATTERY BL1840 SET		2	*			
A09-2J	197600-6	BATTERY BL1830B SET	<	2				
A09-2L	197600-6	BATTERY BL1830B SET	<	3				
A09-2O	197600-6	BATTERY BL1830B SET	<	2				
A09-2Q	197265-4	BATTERY BL1840B SET	<	2				
A10J	141486-0	PLASTIC CARRYING CASE COMPLETE		1				
C10	450909-0	LATCH		2				
A10L	141486-0	PLASTIC CARRYING CASE COMPLETE		1				
C10	450909-0	LATCH		2				
A10N	803H12-8	DJV180ZJ INDICATION LABEL		1				
A10O	821550-0	CONNECTOR PLASTIC CASE (TYPE2)		1				
C10	453974-8	LATCH		4		100		
A10Q	821550-0	CONNECTOR PLASTIC CASE (TYPE2)		1				
C10	453974-8	LATCH		4		100		
A11I	803H19-4	DJV180Z TOOL LABEL		1				
A11J	803H17-8	DJV180RFE TOOL LABEL		1				
A11L	803H24-1	DJV180RFE3 TOOL LABEL		1				
A11N	803H13-6	DJV180ZJ PLASTIC CASE LABEL		2				
A11O	837639-4	INNER TRAY		1				
A11Q	837639-4	INNER TRAY		1				
A12J	450128-8	BATTERY COVER		1				
A12L	450128-8	BATTERY COVER		2				

