

INST-13006P - Laidon Single Outlet Thermostatic Shower Valve and Kit



Introduction

The Laidon Thermostatic Bar Shower. Featuring anti scald technology. The Laidon is supplied with easy install fast fix brackets, a riser rail with adjustable brackets and paddle style handset.

- Thermostatic Control
- Anti-Scald Technology
- Square Design Valve & Handset
- Fast Fix Brackets
- Riser Rail with adjustable brackets
- Chrome Finish

DESCRIPTION	Code
Laidon Square Single Outlet Bar Shower and Kit complete with fixing brackets	INST-13006P

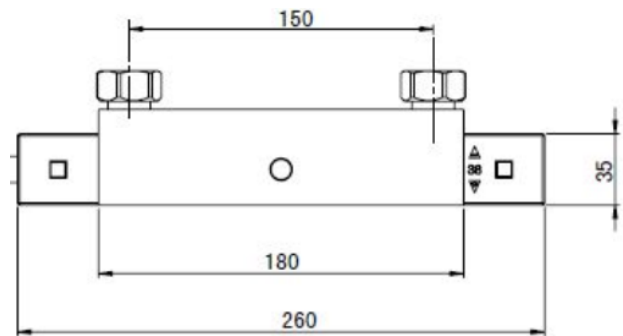
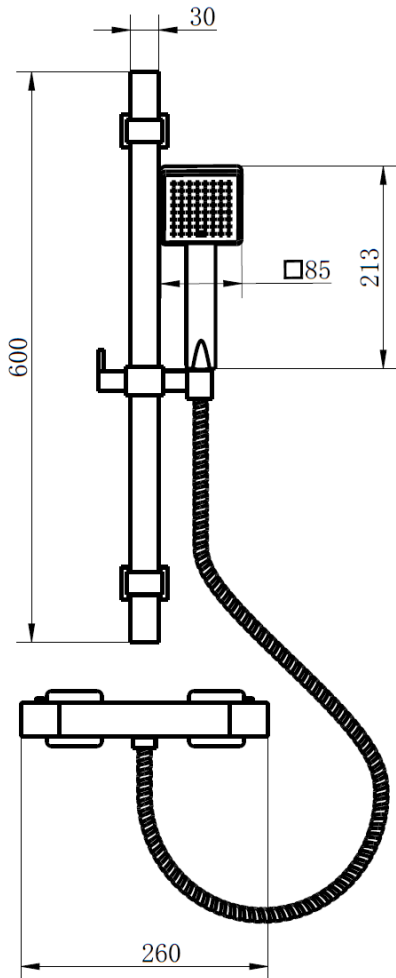
Includes fast fix brackets



INST-13006P - Laidon Single Outlet Thermostatic Shower Valve and Kit

- Technical Specification

Max Inlet Pressure (static)	5 Bar
Min Inlet Pressure (dynamic)	0.5 Bar
Max inlet Temperature	85°C
Factory Pre-set Temperature	38°C with max temp stop
Inlet Connections (Fast Fix)	15mm compression
Outlet Connections	G ½" BSP
Min Temperature differential to achieve hot or cold failsafe	15°C
System Installation	Unvented, Pumped, Pressurised and Combination Boilers



Flow Rate Graph

