

# VAL BSM C CD

## VALUE Tap Range Lever Bath Shower Mixer with Ceramic Disc Valves Chrome



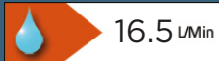
### Features:

- Supplied with 3" (76mm) metal levers
- Supplied with metal back nuts
- Chrome plated to BS EN 458
- Supplied with 1.5m hose, handset and wall bracket

### Product Certifications:



WRAS Certificate No: 1708700  
WRAS Expiry Date: 31/08/2022



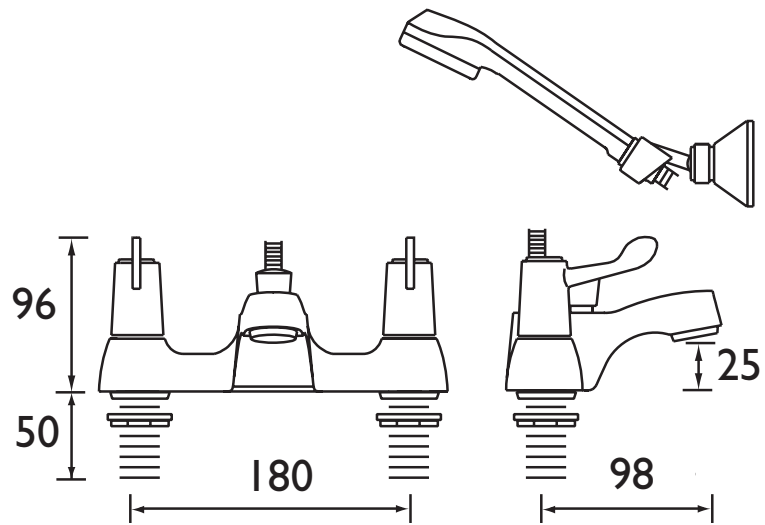
For more products, visit our website:  
<http://www.bristan.com>



### Specification

Style:	Contemporary
Product Type:	Bathroom Taps
Finish/Colour:	Chrome
Main Construction Material:	Brass
Mount Type:	Deck Mounted
Handle Type:	Lever
Connection Inlet:	3/4" BSP
Connection Outlet:	N/A
Number of Tap Holes:	2
Valve/Cartridge Type:	3/4" Ceramic Disc Valves
Plumbing System Requirements:	All - Ideally balanced
Working Pressure Range:	Min 0.2 bar, Max 5.0 bar
Maximum Hot Water Temperature: °C	65
Maximum Dynamic Pressure: (bar)	5
Maximum Static Pressure: (bar)	10
Flow Type:	Single
Flow Rate: (l/min @ 3 bar)	56.9
Isolation Included:	No

### Dimensions (measurements in mm)



### 1500mm Hose, Handset & Wall Bracket

### Flow Rates (l/min)

System Pressure (bar)	0.2	0.5	1	2	3	5
VAL BSM C CD	14.6	23.2	33.4	46.4	56.9	73.4
VAL BSM C CD - Handset	4.2	6.7	9.5	13.4	16.5	21.3

## TECHNICAL DATA SHEET



# BRISTAN

TAPS & SHOWERS D8